



EGX-400/600 Hardware Setup Guide



EGX Series Hardware Setup Guide

- ❖ This guide covers the basic setup for the Roland EGX-400/600 benchtop engravers.
- ❖ The setup covers Nosecone, Non-Nosecone and Scribing.
- ❖ For additional details and information on a particular configuration always refer to the Users Manual for your engraver.

NOTES:

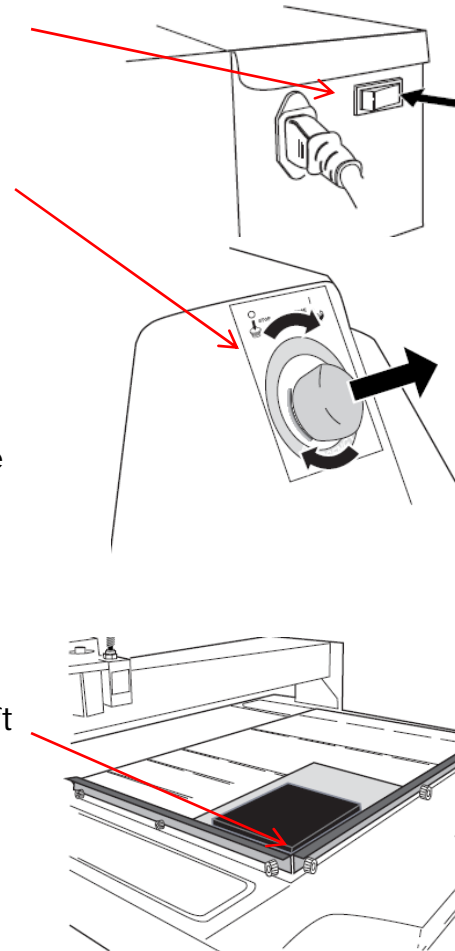


EGX-400/600 Hardware Configuration for Nosecone Engraving

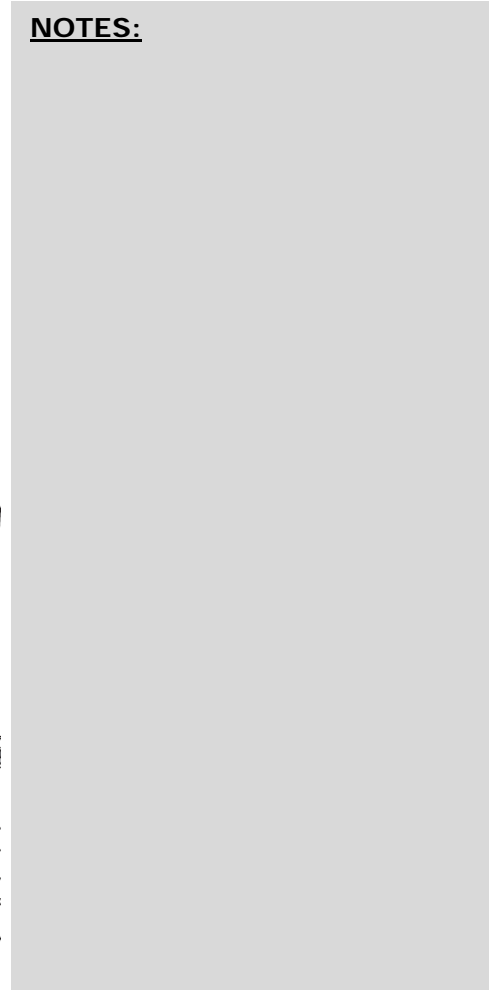


EGX-400/600 Setup for Nosecone Engraving

- ❖ Power the units primary power switch on the left rear of the unit.
- ❖ Turn the Emergency (secondary power) switch clockwise to power the unit on.
- ❖ The control panel will power on and display the model and boot version. Once completed the display will read "HIT ENTER KEY".
- ❖ At this point press the ENTER key to initialize the unit.
- ❖ Once the initialization is completed, the carriage will be located to the View position (Left rear).
- ❖ Place the adhesive sheet (AS-10) in the lower left corner of the table and place the material in the corner as well.



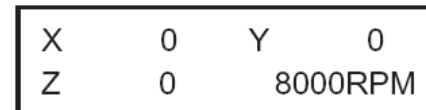
NOTES:





EGX-400/600 Setup for Nosecone Engraving

- ❖ On the control panel press the MENU key multiple times until you see the I/O, OTHERS, TEACHING, SELF menu.
- ❖ Using the arrow keys on the control panel move the cursor to OTHERS and press the ENTER key to enter the sub-menu.
- ❖ Press the MENU key multiple times until you see AUTO Z CONTROL.
- ❖ Using the arrow keys on the control panel move the cursor to ON and press the ENTER key to set the value (shown with brackets).
- ❖ Press the MENU key until you return to the main screen.

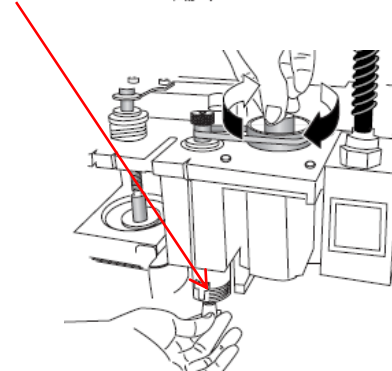
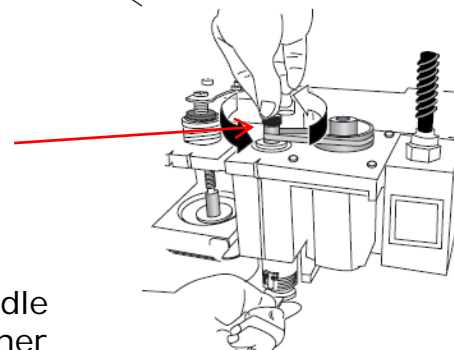
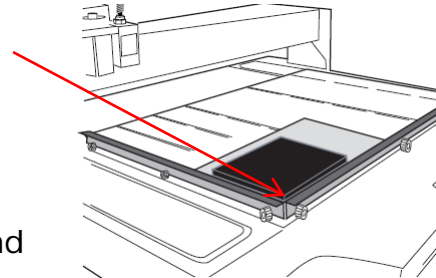


NOTES:



EGX-400/600 Setup for Nosecone Engraving

- ❖ Using the arrow keys on the control panel move the carriage so that the spindle unit is over the lower left corner of the material.
- ❖ Once the spindle is over the lower left corner of the material, press the XY ORIGIN SET button and press the ENTER key to set that as your origin point.
- ❖ Remove the cutter tool from the cutter knob (brass knob) and install the cutter knob on the top of the spindle assembly.
- ❖ Install the solid collet to the bottom of the spindle assembly and tighten it with the supplied spanner wrenches 17mm on the bottom of spindle and 10mm on the collet.
 - **NOTE:** Do not use the spanner wrench on the Top Spindle Nut as you will damage the bearings if you loosen or tighten it.

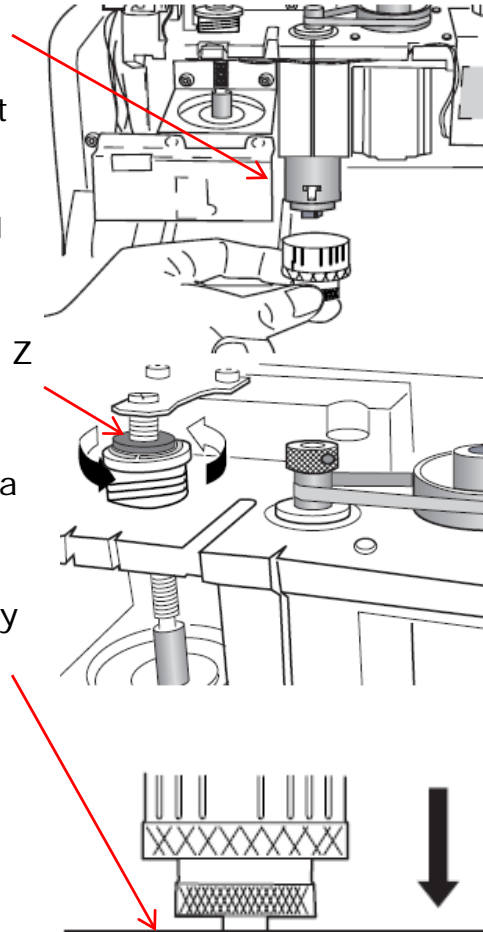


NOTES:



EGX-400/600 Setup for Nosecone Engraving

- ❖ Install the Nosecone assembly on the spindle assembly all the way up until it stops and then back off 2-3 full turns. This will allow you to set the depth for engraving.
 - ***NOTE:*** Be careful not to cross thread the nosecone to the spindle threads. Doing so will damage the spindle unit.
- ❖ Loosen the Z screw lock nut. This will allow the Z Axis to "float".
- ❖ Using the arrow keys move the nosecone over a flat area of the material.
- ❖ Using the Z- key lower the nosecone all the way down until the machine stops automatically.

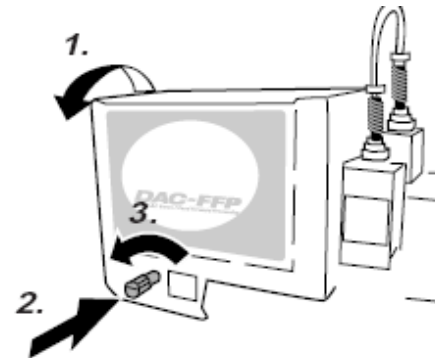
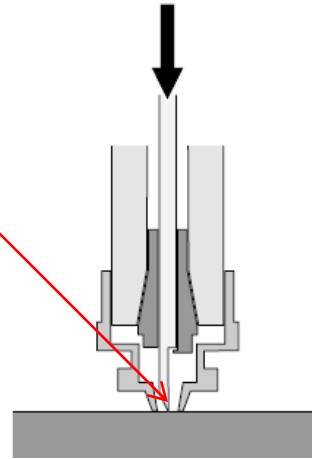


NOTES:



EGX-400/600 Setup for Nosecone Engraving

- ❖ Insert the cutter gently until it touches the surface of the material and tighten it in place using the supplied hex wrench.
- ❖ Raise the Z Axis by using the Z+ key to clear the material.
- ❖ Rotate the nosecone counter clockwise to set the desired depth. Each tick mark is equal to 0.001" (0.0245mm). One full turn is equal to 0.025" (0.635mm).
- ❖ Close the spindle cover.
- ❖ Your machine is now ready for nosecone engraving.



NOTES:

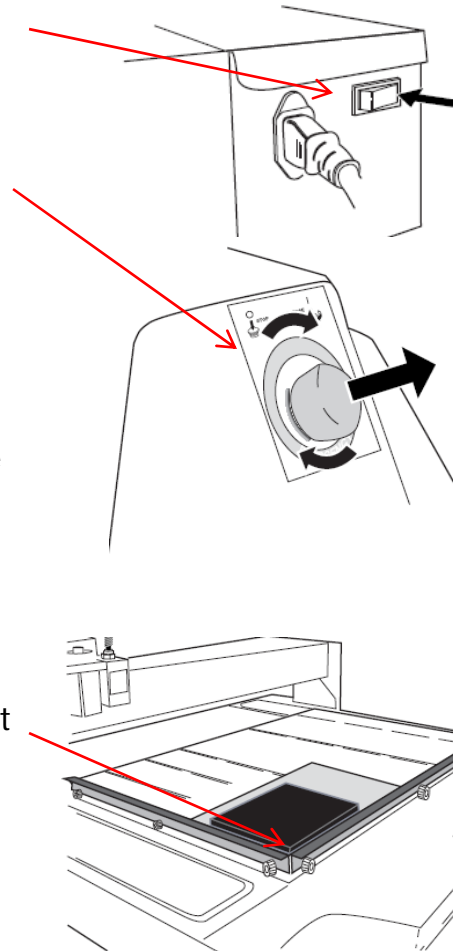


EGX-400/600 Hardware Configuration for Non- Nosecone Engraving

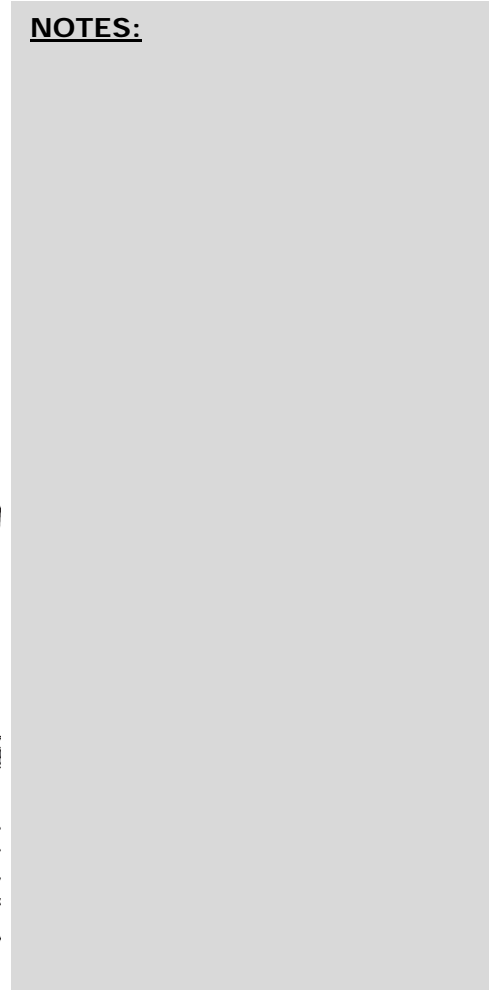


EGX-400/600 Setup for Non-Nosecone Engraving

- ❖ Power the units primary power switch on the left rear of the unit.
- ❖ Turn the Emergency (secondary power) switch clockwise to power the unit on.
- ❖ The control panel will power on and display the model and boot version. Once completed the display will read "HIT ENTER KEY".
- ❖ At this point press the ENTER key to initialize the unit.
- ❖ Once the initialization is completed, the carriage will be located to the View position (Left rear).
- ❖ Place the adhesive sheet (AS-10) in the lower left corner of the table and place the material in the corner as well.



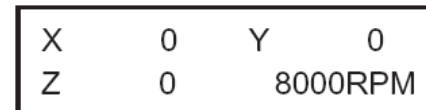
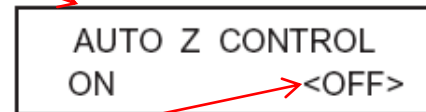
NOTES:





EGX-400/600 Setup for Non-Nosecone Engraving

- ❖ On the control panel press the MENU key multiple times until you see the I/O, OTHERS, TEACHING, SELF menu.
- ❖ Using the arrow keys on the control panel move the cursor to OTHERS and press the ENTER key to enter the sub-menu.
- ❖ Press the MENU key multiple times until you see AUTO Z CONTROL.
- ❖ Using the arrow keys on the control panel move the cursor to OFF and press the ENTER key to set the value (shown with brackets).
- ❖ Press the MENU key until you return to the main screen.

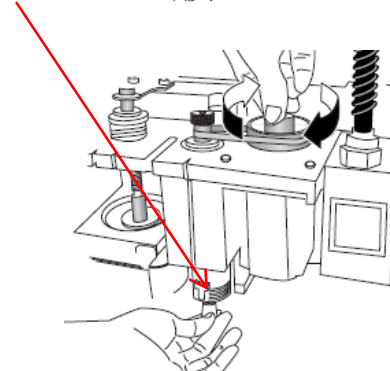
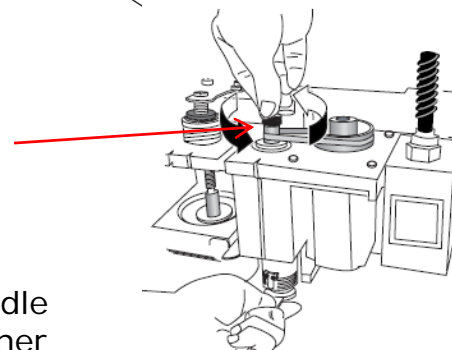
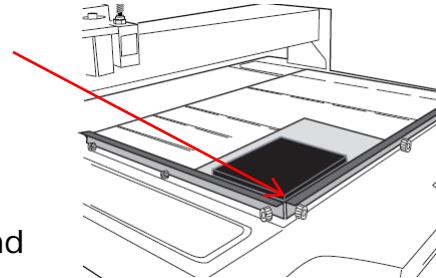


NOTES:



EGX-400/600 Setup for Non-Nosecone Engraving

- ❖ Using the arrow keys on the control panel move the carriage so that the spindle unit is over the lower left corner of the material.
- ❖ Once the spindle is over the lower left corner of the material, press the XY ORIGIN SET button and press the ENTER key to set that as your origin point.
- ❖ Remove the cutter tool from the cutter knob (brass knob) and install the cutter knob on the top of the spindle assembly.
- ❖ Install the solid collet to the bottom of the spindle assembly and tighten it with the supplied spanner wrenches 17mm on the bottom of spindle and 10mm on the collet.
- ❖ NOTE: Do not use the Spanner on the Top Spindle Nut as you will damage the bearings if you loosen or tighten it.

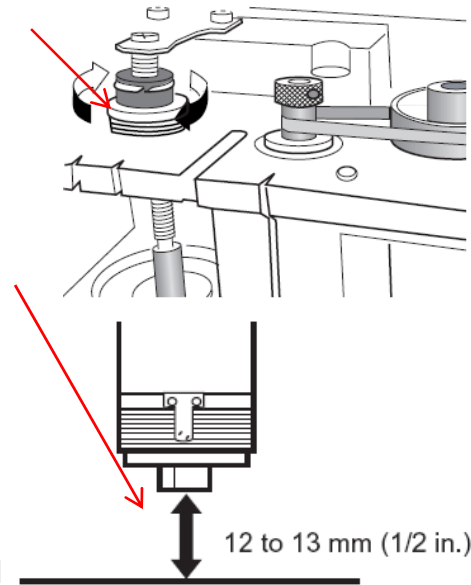


NOTES:



EGX-400/600 Setup for Non-Nosecone Engraving

- ❖ Tighten the Z screw lock nut. This will lock the Z Axis in place.
- ❖ Using the arrow keys move the nosecone over a flat area of the material.
- ❖ Using the Z- key lower the nosecone just above the material approximately 0.5" (12-13mm)
- ❖ Insert the cutter gently until it touches the surface of the material and tighten it in place using the supplied hex wrench.
- ❖ Press the Z ORIGIN SET key on the control panel to bring up the Z setting menu.
- ❖ Using the arrow key move the cursor to Z0 and press the ENTER key to set the value as your surface.



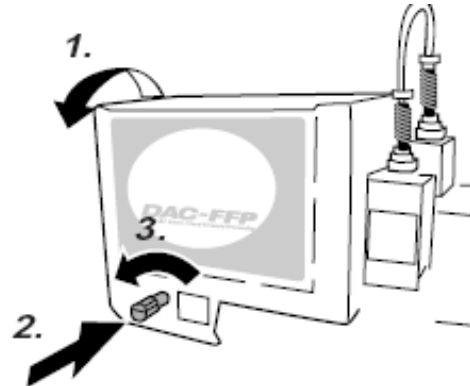
SET	Z1	Z0	Z2
SURFACE	<	0	>

NOTES:



EGX-400/600 Setup for Non-Nosecone Engraving

- ❖ Close the spindle cover.
- ❖ Your machine is now ready for non-nosecone engraving.



NOTES:

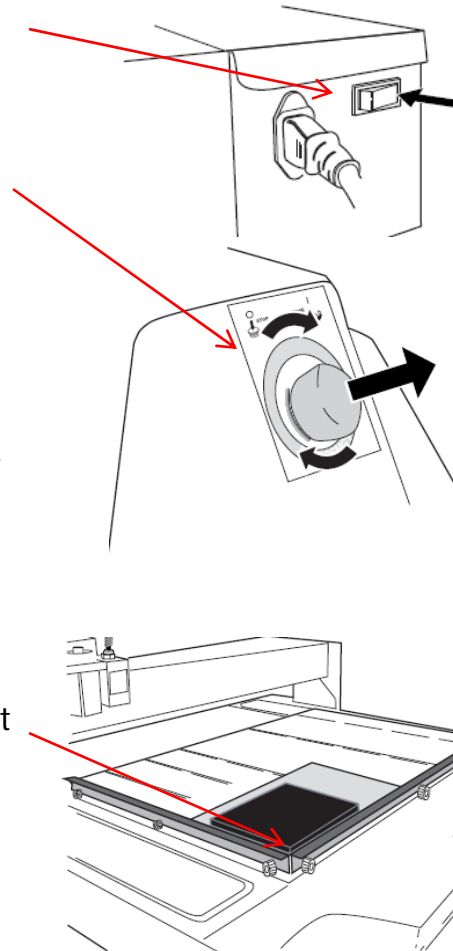


EGX-400/600 Hardware Configuration for Scribing

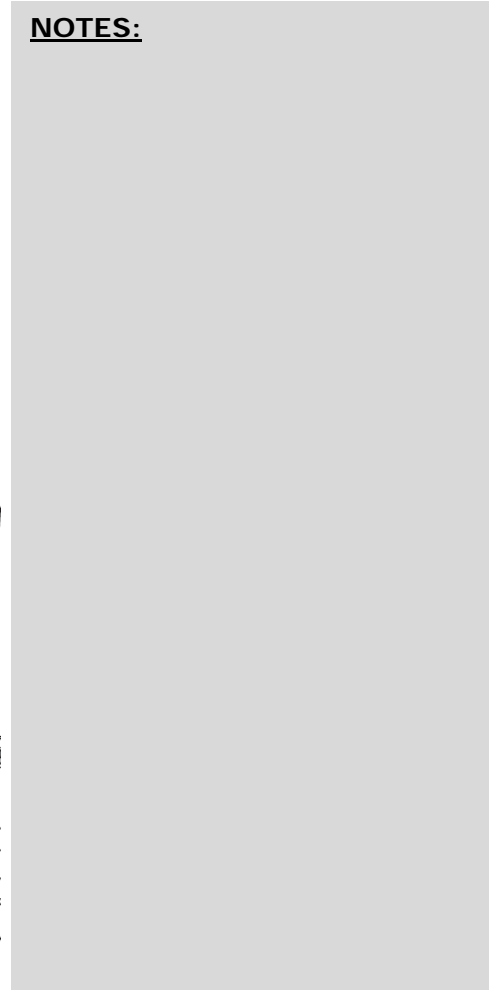


EGX-400/600 Setup for Scribing

- ❖ Power the units primary power switch on the left rear of the unit.
- ❖ Turn the Emergency (secondary power) switch clockwise to power the unit on.
- ❖ The control panel will power on and display the model and boot version. Once completed the display will read "HIT ENTER KEY".
- ❖ At this point press the ENTER key to initialize the unit.
- ❖ Once the initialization is completed, the carriage will be located to the View position (Left rear).
- ❖ Place the adhesive sheet (AS-10) in the lower left corner of the table and place the material in the corner as well.



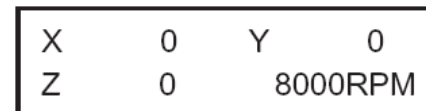
NOTES:





EGX-400/600 Setup for Scribing

- ❖ On the control panel press the MENU key multiple times until you see the I/O, OTHERS, TEACHING, SELF menu.
- ❖ Using the arrow keys on the control panel move the cursor to OTHERS and press the ENTER key to enter the sub-menu.
- ❖ The first item in the sub menu is REVOLUTION.
- ❖ Using the arrow keys on the control panel move the cursor to OFF and press the ENTER key to set the value (shown with brackets).
- ❖ Press the MENU key multiple times until you see AUTO Z CONTROL.
- ❖ Using the arrow keys on the control panel move the cursor to ON and press the ENTER key to set the value (shown with brackets).
- ❖ Press the MENU key until you return to the main screen.

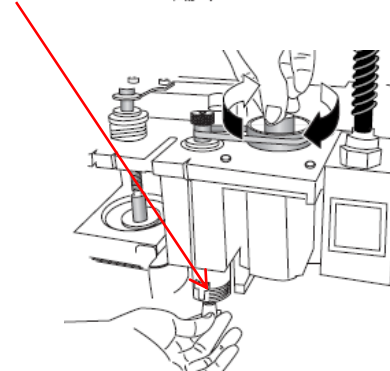
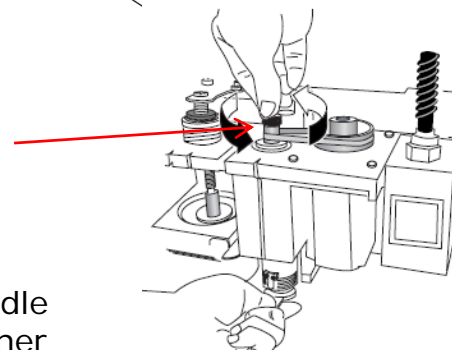
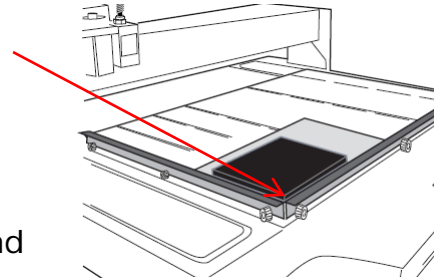


NOTES:



EGX-400/600 Setup for Scribing

- ❖ Using the arrow keys on the control panel move the carriage so that the spindle unit is over the lower left corner of the material.
- ❖ Once the spindle is over the lower left corner of the material, press the XY ORIGIN SET button and press the ENTER key to set that as your origin point.
- ❖ Remove the cutter tool from the cutter knob (brass knob) and install the cutter knob on the top of the spindle assembly.
- ❖ Install the solid collet to the bottom of the spindle assembly and tighten it with the supplied spanner wrenches 17mm on the bottom of spindle and 10mm on the collet.
 - **NOTE:** Do not use the spanner wrench on the Top Spindle Nut as you will damage the bearings if you loosen or tighten it.

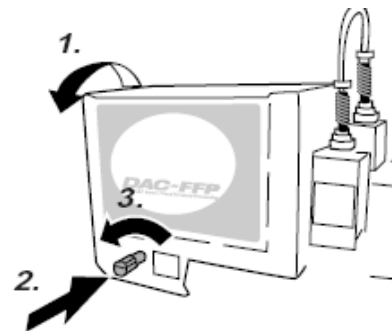
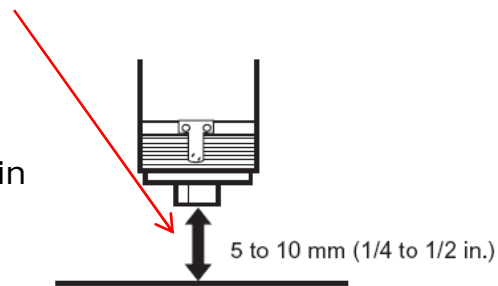
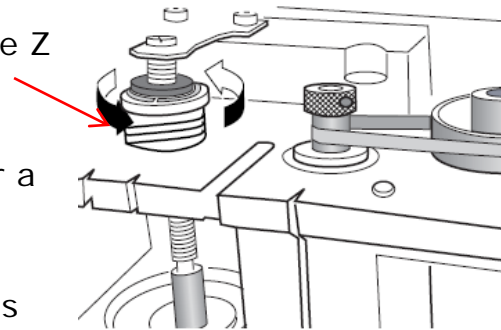


NOTES:



EGX-400/600 Setup for Scribing

- ❖ Loosen the Z screw lock nut. This will allow the Z Axis to “float”.
- ❖ Using the arrow keys move the nosecone over a flat area of the material.
- ❖ Using the Z- key lower the collet until the tip is approximately ¼” to ½” (5-10mm) from the surface of the table.
- ❖ Insert the diamond scribing tool until the tip touches the surface of the material and lock it in place using the supplied hex wrenches.
- ❖ Close the spindle cover.
- ❖ Your machine is now ready for scribing.



NOTES: